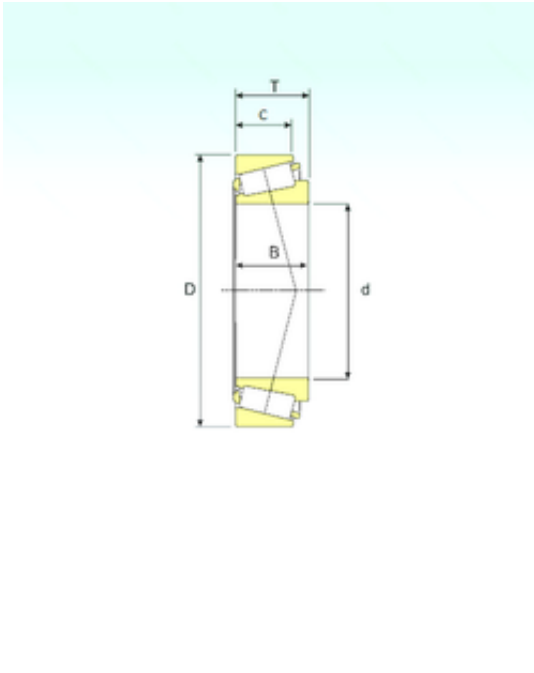




# OF Bearing Industrial Co.,Ltd.



306/900 Bearing 2D drawings and 3D CAD models

## ISB 306/900 tapered roller bearings

Bearing No. 306/900

Size	900x1280x190 mm
Bore Diameter	900 mm
Outer Diameter	1280 mm
Width	190 mm
d	900 mm
D	1280 mm
T	190 mm
B	170 mm
C	135 mm
Weight	71,8 Kg
Basic dynamic load rating (C)	6430 kN
Basic static load rating (C0)	14600 kN
(Grease) Lubrication Speed	95 r/min