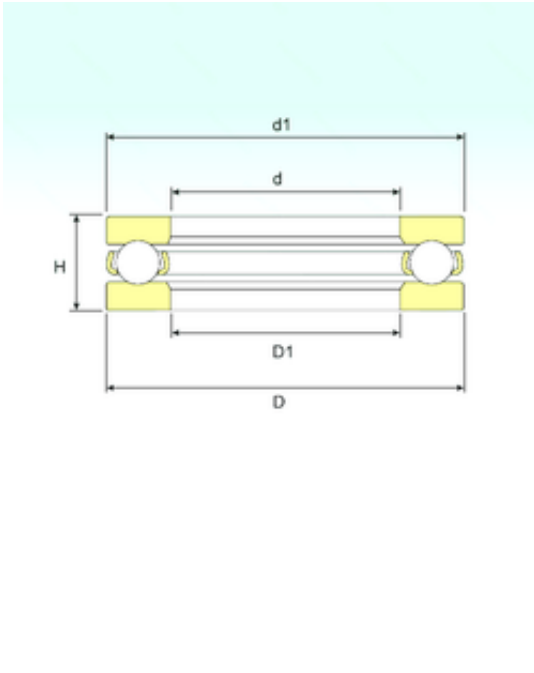




OF Bearing Industrial Co.,Ltd.



51192 M Bearing 2D drawings and 3D CAD models

ISB 51192 M thrust ball bearings

Bearing No. 51192 M

Size	460x560x80 mm
Bore Diameter	460 mm
Outer Diameter	560 mm
Width	80 mm
d	460 mm
D	560 mm
H	80 mm
d1	556 mm
D1	464 mm
Weight	43,5 Kg
Basic dynamic load rating (C)	516 kN
Basic static load rating (C0)	3185 kN
(Grease) Lubrication Speed	612 r/min