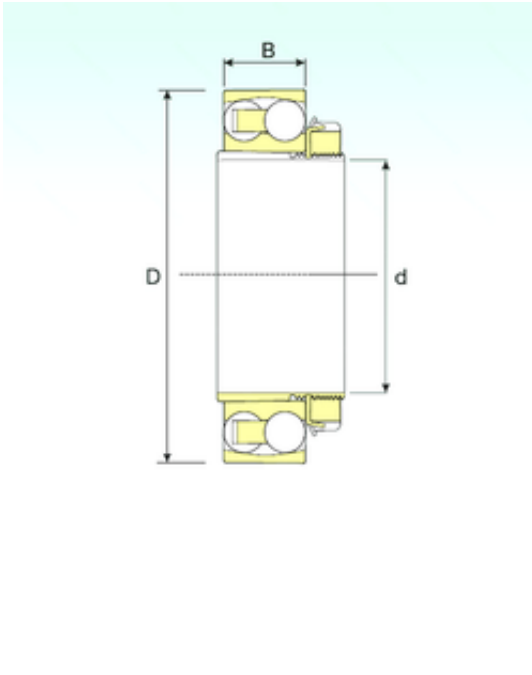




OF Bearing Industrial Co.,Ltd.



2205 KTN9+H305 Bearing 2D drawings and 3D CAD models

ISB 2205 KTN9+H305 self aligning ball bearings

Bearing No. 2205 KTN9+H305

Size	20x52x18 mm
Bore Diameter	20 mm
Outer Diameter	52 mm
Width	18 mm
d	20 mm
D	52 mm
B	18 mm
B1	29 mm
C	18 mm
Weight	0,23 Kg
Basic dynamic load rating (C)	16,5 kN
Basic static load rating (C0)	4,3 kN
(Grease) Lubrication Speed	13770 r/min