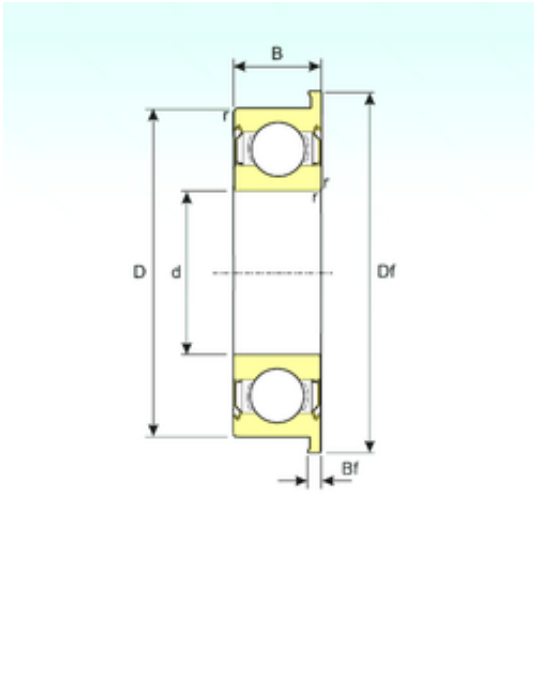




OF Bearing Industrial Co.,Ltd.



FR144ZZ Bearing 2D drawings and 3D CAD models

ISB FR144ZZ deep groove ball bearings

Bearing No. FR144ZZ

Size	3.175x6.35x2.779 mm
Bore Diameter	3,175 mm
Outer Diameter	6,35 mm
Width	2,779 mm
d	3,175 mm
D	6,35 mm
B	2,779 mm
C	2,779 mm
Bf	0,787 mm
Df	7,518 mm
r min.	0,1 mm
Basic dynamic load rating (C)	0,22 kN