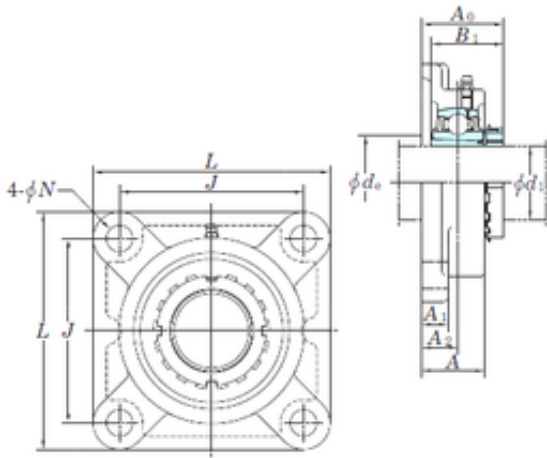




OF Bearing Industrial Co.,Ltd.

KOYO UKF216 bearing units

Bearing No. UKF216



UKF216 Bearing 2D drawings and 3D CAD models

Bore Diameter	70 mm
d	70 mm
A0	72 mm
d3	90 mm
A	58 mm
A1	22 mm
B1	59 mm
J	165 mm
L	208 mm
N	23 mm
Thread (G)	M20
A2	34 mm
Weight	7,6 Kg
Basic dynamic load rating (C)	72,7 kN
Basic static load rating (C0)	53 kN