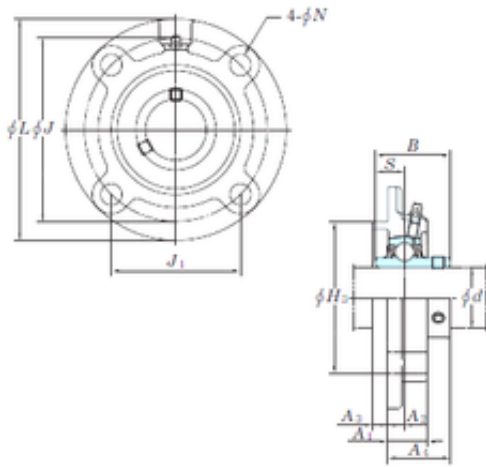




# OF Bearing Industrial Co.,Ltd.

## KOYO UCFCX17 bearing units



Bearing No. UCFCX17

Bore Diameter	85 mm
d	85 mm
H3	186 mm
A4	66,3 mm
A1	36 mm
B	96 mm
J	219 mm
L	260 mm
N	23 mm
S	39,7 mm
Bolt (G)	M20
A2	10 mm
A3	25 mm
J1	154,8 mm
Weight	12,9 Kg
Basic dynamic load rating (C)	96,1 kN
Basic static load rating (C0)	71,5 kN
Bearing No.	UCFCX17
Bolt size	M20
Cr	96.1
C0r	71.5
f0	14.5
(Refer.)Unit mass(kg)	12.9
Nipple size	R1/8

UCFCX17 Bearing 2D drawings and 3D CAD models