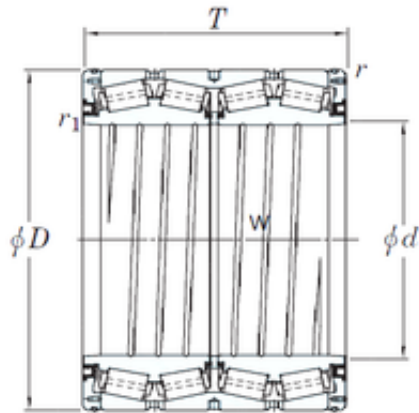


KOYO 4TRS679 tapered roller bearings



Bearing No. 4TRS679

Size	679.45x901.7x552.45 mm
Bore Diameter	679,45 mm
Outer Diameter	901,7 mm
Width	552,45 mm
d	679,45 mm
D	901,7 mm
T	552,45 mm
r min.	6,4 mm
r1 min.	3 mm
W	552,45 mm
Weight	951 Kg
Basic dynamic load rating (C)	11100 kN
Basic static load rating (C0)	30600 kN
Calculation factor (e)	0,33
Calculation factor (Y2)	2,03

4TRS679 Bearing 2D drawings and 3D CAD models