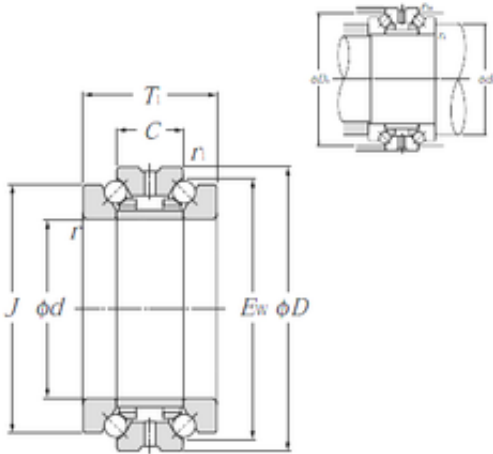




# OF Bearing Industrial Co.,Ltd.

## NTN 562038 thrust ball bearings

Bearing No. 562038



562038 Bearing 2D drawings and 3D CAD models

Bore Diameter	190 mm
Outer Diameter	265 mm
d	190 mm
D	290 mm
Ew	265 mm
T1	120 mm
C	60 mm
ra1 max.	1 mm
r min.	2,1 mm
r1 min.	1,1 mm
J	258 mm
da min.	229 mm
Da max.	280 mm
ra max.	2 mm
Weight	25,5 Kg
Basic dynamic load rating (C)	236 kN
Basic static load rating (C0)	890 kN
(Grease) Lubrication Speed	1 400 r/min