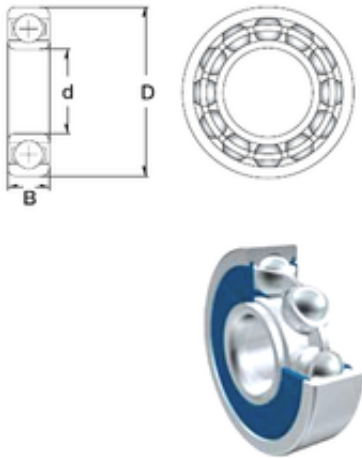




OF Bearing Industrial Co.,Ltd.

ZEN 6210-2RS deep groove ball bearings



Bearing No. 6210-2RS

| | |
|-------------------------------|-------------|
| Size | 50x90x20 mm |
| Bore Diameter | 50 mm |
| Outer Diameter | 90 mm |
| Width | 20 mm |
| d | 50 mm |
| D | 90 mm |
| B | 20 mm |
| C | 20 mm |
| Weight | 0,459 Kg |
| Basic dynamic load rating (C) | 35 kN |
| Basic static load rating (C0) | 23,2 kN |

6210-2RS Bearing 2D drawings and 3D CAD models