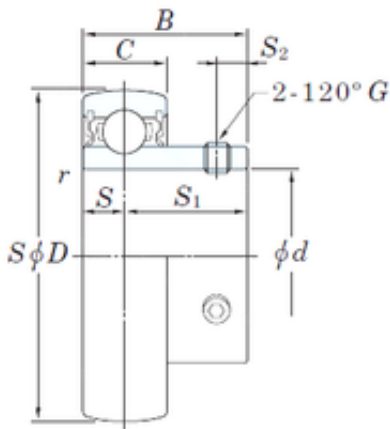




OF Bearing Industrial Co.,Ltd.



SKF NTN Snr NSK Koyo Insert Ball Bearing
 Sb201 Sb202 Sb203 Sb204 Sb205 Sb206 Sb207
 Sb208 Sb209 Sb210 with Plastic Pillow Blocks

Bearing No. Sb201

Size	12x40x22 mm
Bore Diameter	12 mm
Outer Diameter	40 mm
Width	22 mm
d	12 mm
D	40 mm
B	22 mm
C	12 mm
S1	16 mm
r min.	0,6 mm
S	6 mm
S2	4 mm
Thread (G)	M5 × 0,5
Weight	0,1 Kg
Basic dynamic load rating (C)	9,55 kN
Basic static load rating (C0)	4,8 kN

Sb201 Bearing 2D drawings and 3D CAD models