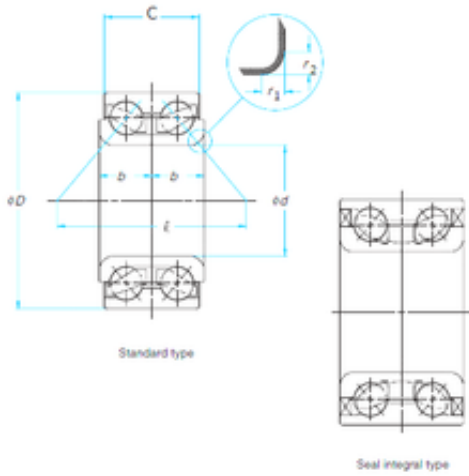




# OF Bearing Industrial Co.,Ltd.



## CYSD DAC4082040 angular contact ball bearings

Bearing No. DAC4082040

Size	40x82x40 mm
Bore Diameter	40 mm
Outer Diameter	82 mm
Width	40 mm
d	40 mm
D	82 mm
B	40 mm

DAC4082040 Bearing 2D drawings and 3D CAD models