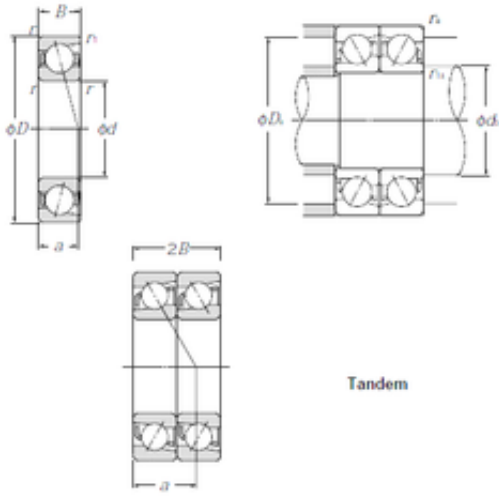




OF Bearing Industrial Co.,Ltd.

CYSD 7022CDT angular contact ball bearings

Bearing No. 7022CDT



7022CDT Bearing 2D drawings and 3D CAD models

Size	110x170x28 mm
Bore Diameter	110 mm
Outer Diameter	170 mm
Width	28 mm
d	110 mm
D	170 mm
B	28 mm
C	28 mm
Angle (°)	15 °
r min.	2 mm
2B	56 mm
Weight	3,82 Kg
Basic dynamic load rating (C)	104 kN
Basic static load rating (C0)	203 kN
(Grease) Lubrication Speed	4600 r/min