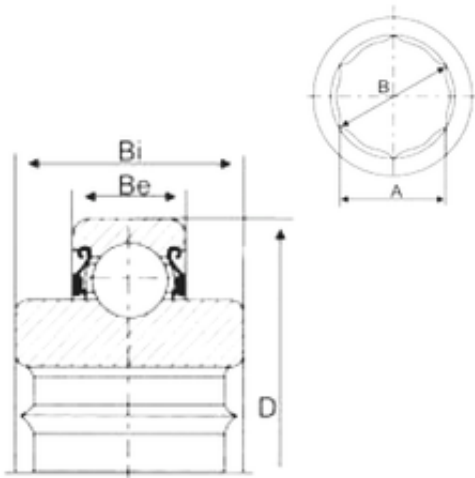




OF Bearing Industrial Co.,Ltd.

CYSD 206KRR6 deep groove ball bearings



Bearing No. 206KRR6

Size	29.26x62x24 mm
Bore Diameter	29,26 mm
Outer Diameter	62 mm
Width	24 mm
d	29,26 mm
D	62 mm
B	24 mm
C	16 mm
Be	16 mm
Bi	24 mm
A	25,43 mm

206KRR6 Bearing 2D drawings and 3D CAD models