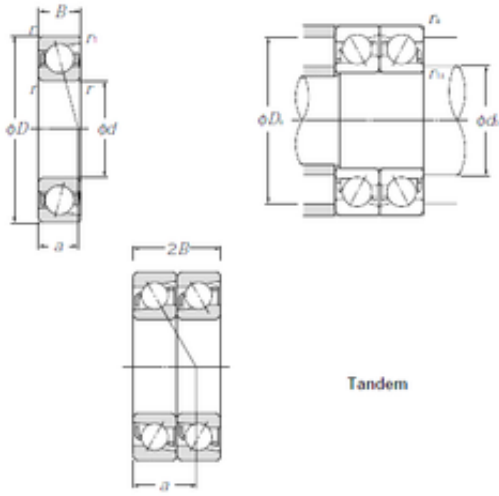




# OF Bearing Industrial Co.,Ltd.

## CYSD 7011DT angular contact ball bearings

Bearing No. 7011DT



7011DT Bearing 2D drawings and 3D CAD models

Size	55x90x18 mm
Bore Diameter	55 mm
Outer Diameter	90 mm
Width	18 mm
d	55 mm
D	90 mm
B	18 mm
C	18 mm
Angle ( ° )	25 °
r min.	1,1 mm
2B	36 mm
Weight	0,894 Kg
Basic dynamic load rating (C)	50,5 kN
Basic static load rating (C0)	25,5 kN
(Grease) Lubrication Speed	6300 r/min