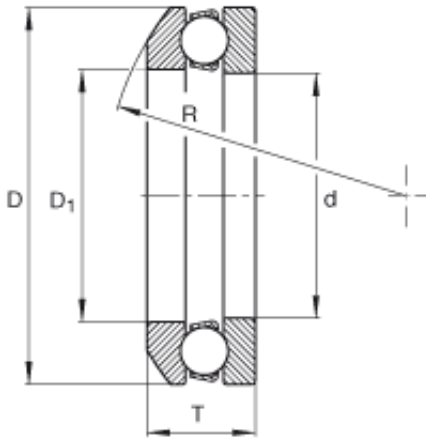




OF Bearing Industrial Co.,Ltd.



4102 Bearing 2D drawings and 3D CAD models

INA 4102 thrust ball bearings

Bearing No. 4102

Size	15x35x15 mm
Bore Diameter	15 mm
Outer Diameter	35 mm
Width	15 mm
d	0,591 inch
d	15 mm
D	1,378 inch
D	35 mm
T	0,591 inch
T	15 mm
D ₁	0,669 inch
R	30 mm
m	0,154 lbs / Weight
m	0,07 kg / Weight
C _a	4340 lbf / Dynamic load rating (axial)
C _a	19300 N / Dynamic load rating (axial)
C _{0a}	6290 lbf / Static load rating (axial)
C _{0a}	28000 N / Static load rating (axial)
Category	Bearings
Inventory	0.0
Manufacturer Name	SCHAEFFLER GROUP
Minimum Buy Quantity	N/A
UNSPSC	31171507



OF Bearing Industrial Co.,Ltd.

Weight / Kilogram	0
EAN	4012802029307
Product Group	B04270