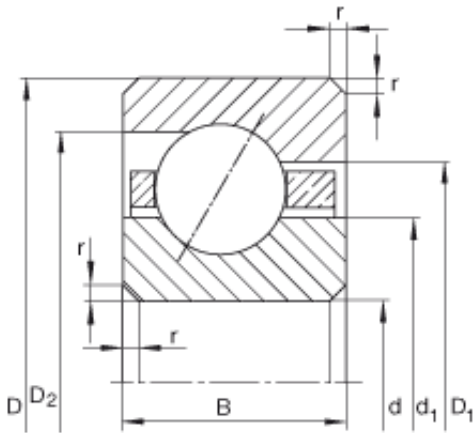




OF Bearing Industrial Co.,Ltd.

INA CSEA035 deep groove ball bearings

Bearing No. CSEA035



CSEA035 Bearing 2D drawings and 3D CAD models

| | |
|----------------------|---------------------------------------|
| Size | 88.9x101.6x6.35 mm |
| Bore Diameter | 88,9 mm |
| Outer Diameter | 101,6 mm |
| Width | 6,35 mm |
| d | 88,9 mm |
| d | 3 1/2 inch |
| D | 101,6 mm |
| B | 6,35 mm |
| D ₁ | 96,9 mm |
| D ₂ | 98,2 mm |
| d ₁ | 93,6 mm |
| r _{min} | 0,6 mm |
| m | 0,08 kg / Weight |
| C _r | 4000 N / Dynamic load rating (radial) |
| C _{0r} | 5300 N / Static load rating (radial) |
| Category | Angular Contact Ball Bearings |
| Inventory | 0.0 |
| Manufacturer Name | SCHAEFFLER GROUP |
| Minimum Buy Quantity | N/A |
| Weight / Kilogram | 0.08 |
| EAN | 4012802292992 |
| Product Group | B00308 |
| Enclosure | Open |
| Flush Ground | No |



OF Bearing Industrial Co.,Ltd.

| | |
|---------------------------------|---|
| Rolling Element | Ball Bearing |
| Number of Rows of Balls | Single Row |
| Precision Class | ABEC 1 ISO P0 |
| Maximum Capacity / Filling Slot | No |
| Snap Ring | No |
| Cage Material | Brass |
| Internal Clearance | C0-Medium |
| Number of Bearings | 1 (Single) |
| Inch - Metric | Inch |
| Long Description | 3-1/2" Bore; 4" Outside Diameter; 1/4" Width; Open; No Flush Ground; Ball Bearing; Single Row of Balls; ABEC 1 ISO P0; No Filling Slot; No Snap Ring; C0-Medium; Brass Cage; 1 (Single) |
| Other Features | Thin Section |
| Category | Angular Contact Ball Bearing |
| UNSPSC | 31171531 |
| Harmonized Tariff Code | 8482.10.50.28 |
| Noun | Bearing |
| Keyword String | Angular Contact |
| Manufacturer URL | http://www.ina.com |
| Weight / LBS | 0.17 |
| Outside Diameter | 4 Inch 101.6 Millimeter |
| Bore | 3.5 Inch 88.9 Millimeter |
| Width | 0.25 Inch 6.35 Millimeter |