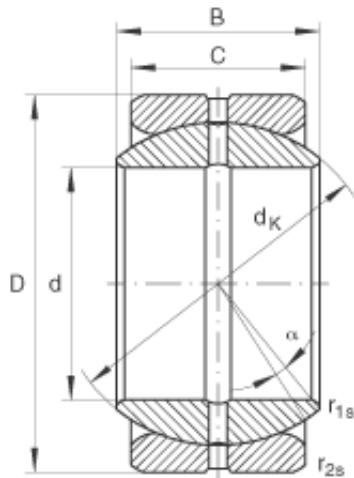




OF Bearing Industrial Co.,Ltd.



INA GE57-ZO plain bearings

Bearing No. GE57-ZO

| | |
|-------------------------|-----------------------------------|
| Size | 57.15x90.488x50.013 mm |
| Bore Diameter | 57,15 mm |
| Outer Diameter | 90,488 mm |
| Width | 50,013 mm |
| C | 42,85 mm |
| D _{a min} | 73 mm |
| d _{a max} | 64,9 mm |
| d _K | 82 mm |
| r _{1s min} | 0,6 mm |
| r _{2s min} | 1 mm |
| alf (°) | 6 |
| Weight (kg) | 1,6 |
| C _r (N) | 281000 |
| C _{0r} (N) | 844000 |
| Category | Spherical Plain Bearings - Radial |
| Inventory | 0.0 |
| Manufacturer Name | SCHAEFFLER GROUP |
| Minimum Buy Quantity | N/A |
| Weight / Kilogram | 1.324 |
| Product Group | B04264 |
| Self Aligning | Yes |
| Rolling Element | Spherical Plain |
| Material - Outer Member | Steel |
| Material - Ball | Steel |
| Material - Liner | Not Applicable |

GE57-ZO Bearing 2D drawings and 3D CAD models



OF Bearing Industrial Co.,Ltd.

| | |
|--------------------------|---|
| Relubricatable | Yes |
| Enclosure | Open |
| Other Features | 2 Piece Single Axial Split in Outer Ring |
| Long Description | 2-1/4" Bore; 1-11/16" Housing Width; 3-9/16" Outside Diameter; Steel Outer Member; Steel Ball; No Liner; 1-31/32" Overall Width; Relubricatable |
| Inch - Metric | Inch |
| Category | Plain Bearings Spherical Radial |
| UNSPSC | 31171515 |
| Harmonized Tariff Code | 8483.30.80.70 |
| Noun | Bearing |
| Keyword 3 | Spherical |
| Keyword String | Plain Spherical Radial |
| Manufacturer URL | http://www.ina.com |
| Manufacturer Item Number | GE57ZOHLG |
| Weight / LBS | 2.92 |
| Outside Diameter | 3.563 Inch 90.5 Millimeter |
| Housing Width | 1.688 Inch 42.875 Millimeter |
| Overall Width | 1.969 Inch 50.013 Millimeter |
| Bore | 2.25 Inch 57.15 Millimeter |