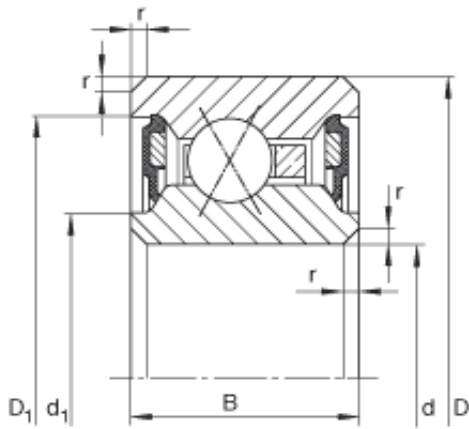




OF Bearing Industrial Co.,Ltd.

INA CSXU050-2RS deep groove ball bearings



CSXU050-2RS Bearing 2D drawings and 3D CAD models

Bearing No. CSXU050-2RS

Size	127x146.05x12.7 mm
Bore Diameter	127 mm
Outer Diameter	146,05 mm
Width	12,7 mm
d	127 mm
d	5 inch
D	146,05 mm
B	12,7 mm
D ₁	140,8 mm
d ₁	130,8 mm
r _{min}	0,38 mm
m	0,31 kg / Weight
C _r	11200 N / Dynamic load rating (radial)
C _{0r}	17800 N / Static load rating (radial)
Category	Angular Contact Ball Bearings
Inventory	0.0
Manufacturer Name	SCHAEFFLER GROUP
Minimum Buy Quantity	N/A
Weight / Kilogram	0.302
EAN	4054362040040
Product Group	B00308
Enclosure	2 Seals
Flush Ground	No
Rolling Element	Ball Bearing



OF Bearing Industrial Co.,Ltd.

Number of Rows of Balls	Single Row
Precision Class	ABEC 1 ISO P0
Maximum Capacity / Filling Slot	No
Snap Ring	No
Cage Material	Brass
Contact Angle	35 Degree 4 Point
Internal Clearance	C0-Medium
Number of Bearings	1 (Single)
Inch - Metric	Inch
Long Description	5" Bore; 5-3/4" Outside Diameter; 1/2" Width; 2 Seals; No Flush Ground; Ball Bearing; Single Row of Balls; ABEC 1 ISO P0; No Filling Slot; No Snap Ring; C0-Medium; Brass Cage; 35 Degr
Other Features	Thin Section
Category	Angular Contact Ball Bearing
UNSPSC	31171531
Harmonized Tariff Code	8482.10.50.28
Noun	Bearing
Keyword String	Angular Contact
Manufacturer URL	http://www.ina.com
Weight / LBS	0.64
Bore	5 Inch 127 Millimeter
Width	0.5 Inch 12.7 Millimeter
Outside Diameter	5.75 Inch 146.05 Millimeter