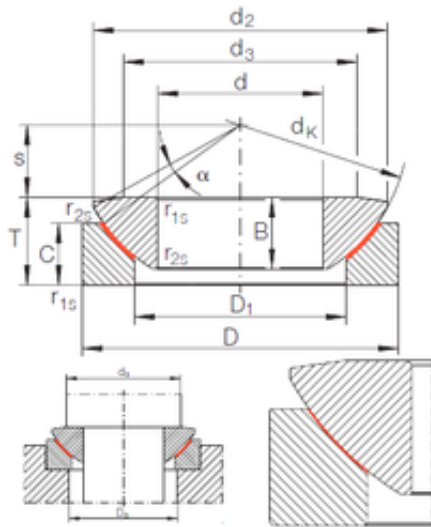




OF Bearing Industrial Co.,Ltd.



INA GE 320 AW plain bearings

Bearing No. GE 320 AW

Size	320x520x116 mm
Bore Diameter	320 mm
Outer Diameter	520 mm
Width	116 mm
d	320 mm
D	520 mm
T	116 mm
B	105 mm
C	91 mm
d2	500 mm
d3	405 mm
dk	540 mm
r1 min.	4 mm
r2 min.	1,1 mm
D1	380 mm
S	95 mm
da max	405 mm
Da min	402 mm
Angle	4 °
Weight	111 Kg
Basic dynamic load rating (C)	21110 kN

GE 320 AW Bearing 2D drawings and 3D CAD models