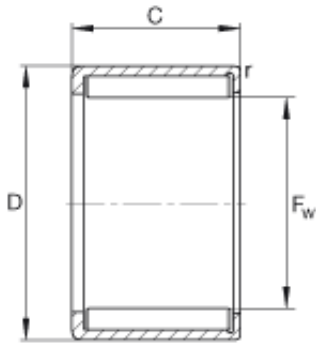




OF Bearing Industrial Co.,Ltd.



INA HN1210 needle roller bearings

Bearing No. HN1210

Size	12x16x10 mm
Bore Diameter	12 mm
Outer Diameter	16 mm
Width	10 mm
F_w	12 mm
D	16 mm
C - 10 mm / Tolerance: -0,3	10 mm / Tolerance: 0,3
r_{min}	0,4 mm
m	5,3 g / Weight
C_r	8000 N / Dynamic load rating (radial)
C_{Or}	13400 N / Static load rating (radial)
C_{ur}	1850 N / Fatigue limit load, radial
n_G	11800 1/min / Limiting speed
n_B	11300 1/min / Reference speed
	LR8X12X10,5 / Suitable inner ring
	IR8X12X10,5 / Suitable inner ring
Category	Roller Bearings
Inventory	0.0
Manufacturer Name	SCHAEFFLER GROUP
Minimum Buy Quantity	N/A
Weight / Kilogram	0.006

HN1210 Bearing 2D drawings and 3D CAD models



OF Bearing Industrial Co.,Ltd.

EAN	4012802440249
Product Group	B04144