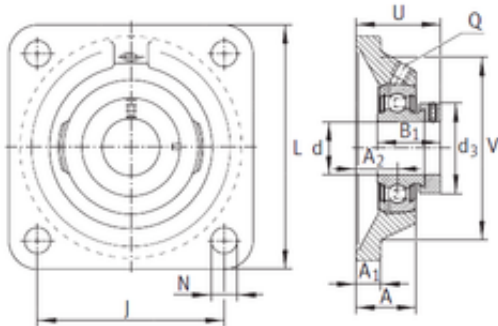




OF Bearing Industrial Co.,Ltd.

INA PCJ50-N-FA125 bearing units



Bearing No. PCJ50-N-FA125

PCJ50-N-FA125 Bearing 2D drawings and 3D CAD models

Bore Diameter	50 mm
d	50 mm
V	125 mm
U	60,8 mm
Thread (Q)	Rp1/8
d3	69 mm
A	39 mm
A1	13 mm
B1	43,8 mm
J	111 mm
L	143 mm
N	18 mm
A2	28 mm
Weight	2,3 Kg
Basic dynamic load rating (C)	35 kN
Category	Flange Block Bearings
Inventory	0.0
Manufacturer Name	SCHAEFFLER GROUP
Minimum Buy Quantity	N/A
Weight / Kilogram	2.754
Product Group	M06110
Number of Mounting Holes	4
Mounting Method	Eccentric Collar
Housing Style	4 Bolt Square Flange Block
Rolling Element	Ball Bearing
Housing Material	Cast Iron



OF Bearing Industrial Co.,Ltd.

Expansion / Non-expansion	Non-expansion
Mounting Bolts	14 Millimeter
Relubricatable	Yes
Insert Part Number	GRAE50NPPB
Seals	Double Lip Contact
Housing Configuration	1 Piece Solid
Pilot Configuration	No Pilot
Inch - Metric	Metric
Long Description	4 Bolt Square Flange Block; 50MM Bore; 157MM Bolt Circle; 111MM Bolt Spacing; 1 Piece Solid; Eccentric Collar Mount; Cast Iron; Ball Bearing; 43.7MM Length Thru Bore; Relubricatable; Double Lip Contac
Other Features	Single Row With Set Screw
Category	Flange Block
UNSPSC	31171501
Harmonized Tariff Code	8483.20.40.40
Noun	Bearing
Keyword String	Flanged
Manufacturer URL	http://www.ina.com
Manufacturer Item Number	PCJ50N-FA125
Weight / LBS	6.395
Bolt Spacing	4.37 Inch 111 Millimeter
Cartridge Pilot Depth	0 Inch 0 Millimeter
Bore	1.969 Inch 50 Millimeter
Cartridge Pilot Diameter	0 Inch 0 Millimeter
Length Thru Bore	1.72 Inch 43.7 Millimeter
Nominal Bolt Circle Diameter Round	6.2 Inch 157 Millimeter