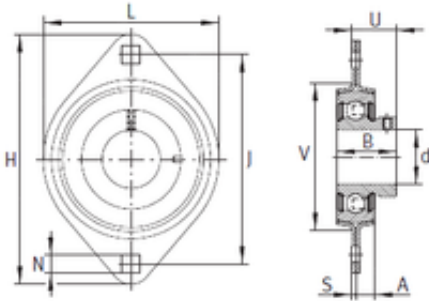




OF Bearing Industrial Co.,Ltd.

INA RATY20 bearing units



RATY20 Bearing 2D drawings and 3D CAD models

Bearing No. RATY20

Bore Diameter	20 mm
d	20 mm
V	55 mm
U	20 mm
A	8 mm
B	25 mm
H	90,5 mm
J	71,5 mm
L	66 mm
N	8,7 mm
S	2 mm
Category	Flange Block Bearings
Inventory	0.0
Manufacturer Name	SCHAEFFLER GROUP
Minimum Buy Quantity	N/A
Weight / Kilogram	0.22
EAN	4012802797213
Product Group	M06110
Number of Mounting Holes	2
Mounting Method	Set Screw
Housing Style	2 Bolt Flange Block
Rolling Element	Ball Bearing
Housing Material	Stamped Steel
Expansion / Non-expansion	Non-expansion
Mounting Bolts	8.7 Millimeter
Relubricatable	No



OF Bearing Industrial Co.,Ltd.

Insert Part Number	AY20NPPB
Seals	Double Lip Contact
Housing Configuration	1 Piece Solid
Pilot Configuration	No Pilot
Inch - Metric	Metric
Long Description	2 Bolt Flange Block; 20MM Bore; 71MM Bolt Circle; 71.5MM Bolt Spacing; 1 Piece Solid; Set Screw Mount; Stamped Steel; Ball Bearing; 25MM Length Thru Bore; No Relubricatable; Double Lip Contact Seals
Other Features	Single Row With Grub Screw
Category	Flange Block
UNSPSC	31171501
Harmonized Tariff Code	8483.20.40.40
Noun	Bearing
Keyword String	Flanged
Manufacturer URL	http://www.ina.com
Manufacturer Item Number	RATY20
Weight / LBS	0.485
Cartridge Pilot Depth	0 Inch 0 Millimeter
Length Thru Bore	0.984 Inch 25 Millimeter
Bolt Spacing	2.815 Inch 71.5 Millimeter
Nominal Bolt Circle Diameter Round	2.8 Inch 71 Millimeter
Cartridge Pilot Diameter	0 Inch 0 Millimeter
Bore	0.787 Inch 20 Millimeter