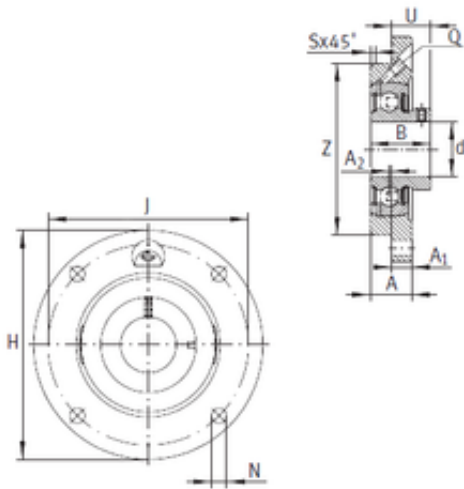




OF Bearing Industrial Co.,Ltd.



PMEY30-N Bearing 2D drawings and 3D CAD models

INA PMEY30-N bearing units

Bearing No. PMEY30-N

Bore Diameter	30 mm
d	30 mm
U	19 mm
Thread (Q)	M6
Z	80 mm
A	20,5 mm
A1	9,5 mm
B	30 mm
H	125 mm
J	100 mm
N	11,5 mm
S	2 mm
A2	2 mm
Weight	0,9 Kg
Basic dynamic load rating (C)	19,5 kN
Category	Flange Block Bearings
Inventory	0.0
Manufacturer Name	SCHAEFFLER GROUP
Minimum Buy Quantity	N/A
Weight / Kilogram	1.114
EAN	4012802823608
Product Group	M06110
Number of Mounting Holes	4
Mounting Method	Set Screw
Housing Style	4 Bolt Round Flange Cartridge



OF Bearing Industrial Co.,Ltd.

Rolling Element	Ball Bearing
Housing Material	Cast Iron
Expansion / Non-expansion	Non-expansion
Mounting Bolts	11.5 Millimeter
Relubricatable	Yes
Insert Part Number	GAY30NPPB
Seals	Double Lip Contact
Housing Configuration	1 Piece Solid
Pilot Configuration	With Pilot
Inch - Metric	Metric
Long Description	4 Bolt Round Flange Cartridge; 30MM Bore; 99MM Bolt Circle; 70.7MM Bolt Spacing; 1 Piece Solid; Set Screw Mount; Cast Iron; Ball Bearing; 30MM Length Thru Bore; Relubricatable; Double Lip Contact Seal
Other Features	Single Row Radial Centering Spigot Metric With Grub Screw
Category	Flange Block
UNSPSC	31171501
Harmonized Tariff Code	8483.20.40.40
Noun	Bearing
Keyword String	Flanged
Manufacturer URL	http://www.ina.com
Manufacturer Item Number	PMEY30
Weight / LBS	2.007
Length Thru Bore	1.181 Inch 30 Millimeter
Bore	1.181 Inch 30 Millimeter
Nominal Bolt Circle Diameter Round	3.9 Inch 99 Millimeter
Cartridge Pilot Diameter	3.15 Inch 80 Millimeter
Bolt Spacing	2.8 Inch 70.7 Millimeter



OF Bearing Industrial Co.,Ltd.

Cartridge Pilot Depth	0.354 Inch 9 Millimeter
-----------------------	---------------------------