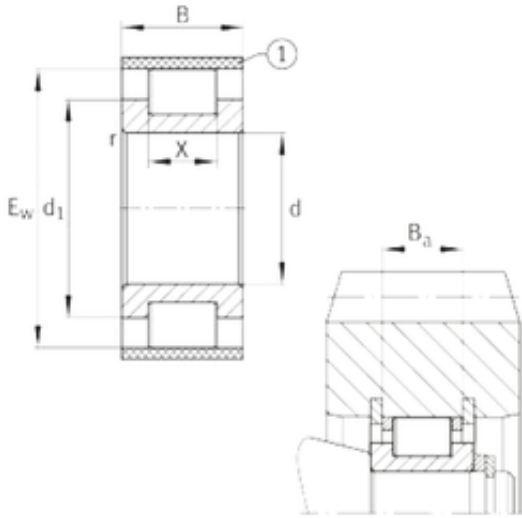




# OF Bearing Industrial Co.,Ltd.

## INA RSL183032-A cylindrical roller bearings

Bearing No. RSL183032-A



RSL183032-A Bearing 2D drawings and 3D CAD models

|                               |                 |
|-------------------------------|-----------------|
| Size                          | 160x224.8x60 mm |
| Bore Diameter                 | 160 mm          |
| Outer Diameter                | 224,8 mm        |
| Width                         | 60 mm           |
| d                             | 160 mm          |
| Ew                            | 224,8 mm        |
| B                             | 60 mm           |
| Ba                            | 54,4 mm         |
| X                             | 36 mm           |
| d1                            | 185 mm          |
| r min.                        | 2,1 mm          |
| Weight                        | 5,82 Kg         |
| Basic dynamic load rating (C) | 540 kN          |